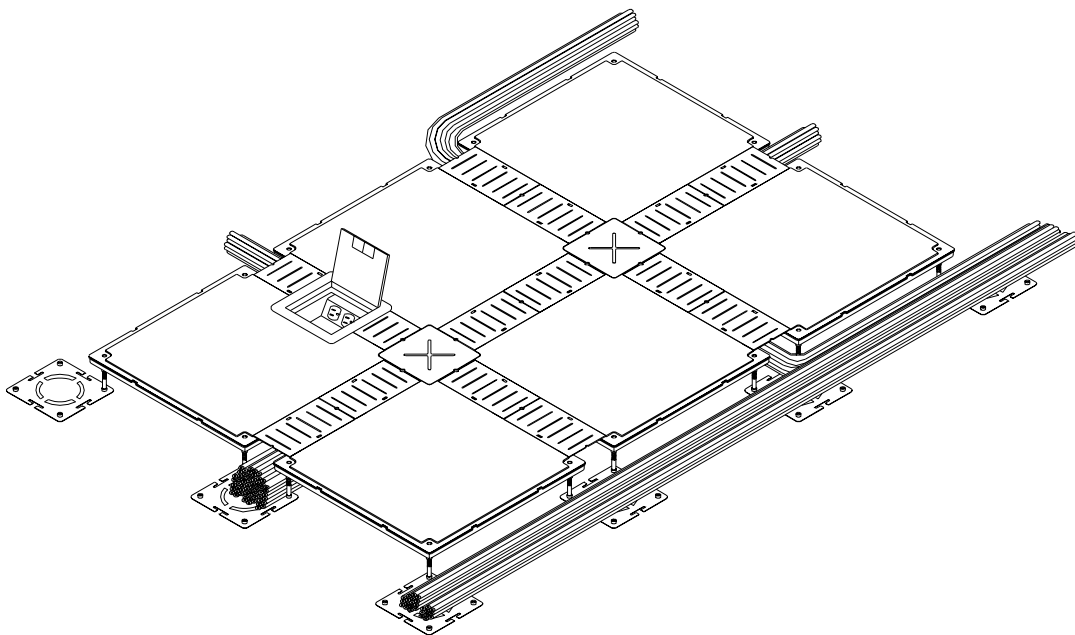
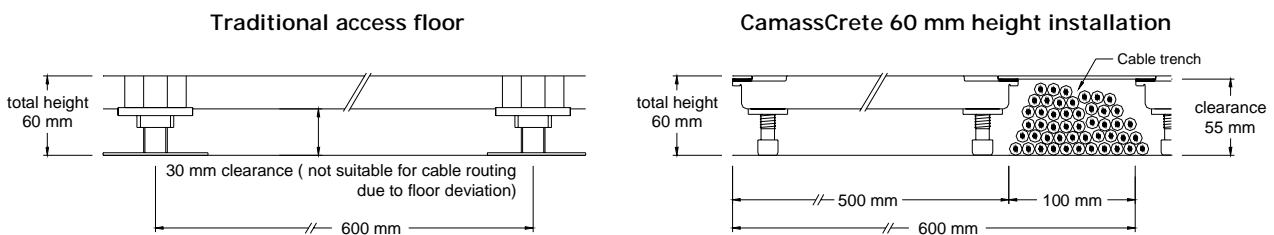


RETICULATED CABLE TRENCH SYSTEM --- Easy Routing Of Cables And Fully Accessible

Reticulated Cable Trench is main feature of **CamassCrete®**. The grid pattern cable trench system provides systematic, easy routing and extension of cables. The trench caps to cover the cable trenches shall be installed before or after routing of cables. As all UniPanels are self-standing, lifting or replacing of trench caps are safe, convenient and without resorting to special tools.

"LOW-PROFILE" INSTALLATION --- To Install At Limited Height Of Below 10 cm (4")

To install below 10 cm (2.36"), the system is installed by following the floor contours. Cable trenches have effectively absorbed the uneven sub-floor and trenches' clearance is maintained at steady height. **CamassCrete®** product family is the only access floor system capable to install at below 10 cm (4") while retain steady height at the cable trenches for cable routing.

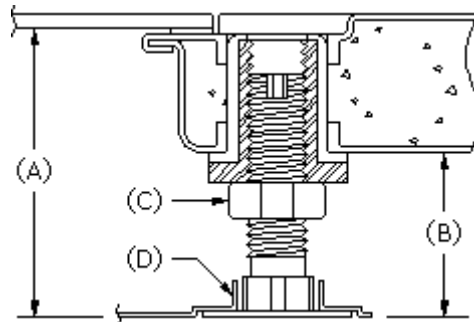


STANDARD SYSTEM HEIGHT AND CABLE TRENCH CLEARANCE

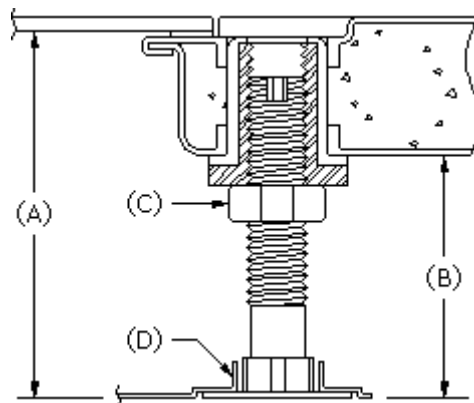
CamassCrete® --- CR1000 Systems

CR1000 series are developed especially for where ceiling heights are critically limited. CR1000 series are good solution to install at less than 10 cm (4") height and yet retains sufficient height and room for cable routing under the Cable Trenches. The charts and drawings below show the cable trenches clearance at different heights:

System	System Height	Cable Trench Clearance (A)
CR1000-40	40 mm (1.57")	35 mm (1.38")

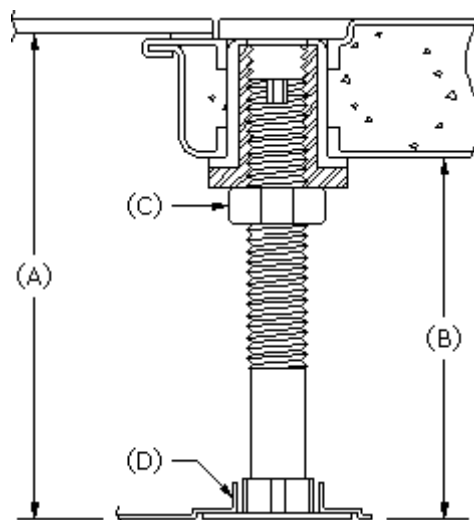


System	System Height	Cable Trench Clearance (A)
CR1000-50	50 mm (1.97")	45 mm (1.77")



CR1000-60	60 mm (2.36")	55 mm (2.16")
-----------	---------------	---------------

System	System Height	Cable Trench Clearance (A)
CR1000-76	76 mm (3")	71 mm (2.80")



CR1000-100	100 mm (4")	95 mm (3.8")
------------	-------------	--------------

- (A): Clearance at cable trenches
- (B): Clearance under UniPanel: (A) - 28 mm
- (C): Lock-nut
- (D): Base Connector

CamassCrete® --- CR1500 Systems

CR1500 series provides extra large cable management capacity, **CamassCrete®** CR1500 series are ideal flooring system for highly modernized offices such as bank, corporate headquarter, government, and etc.

System	System Height	Cable Trench Clearance (A)
CR1500	100 ~ 150 mm (4" ~ 6")	95 ~ 145 mm (3.8~5.8")

3 heights pedestals 12 cm, 13.5 cm and 15 cm, to fix at the job site.

Pedestal can be adjusted from corner at top of UniPanel (main panel) downward 6 mm and Upward maximum 15 mm.

(A): Clearance at cable trenches

(B): Clearance under UniPanel: (A) - 28 mm

(C): Lock-nut

(D): Base Connector

Installation principle of CR1500 at 10 ~15 cm height same as traditional raised access floor. Laser liner and leveling installation is required.



Leveling adjustment: Use 4 mm hex key wrench and adjust height from top.



4mm Hex key wrench adjust from top. 17 mm wrench to loose and fasten the lock-nut of the pedestal when adjusting the height.

