

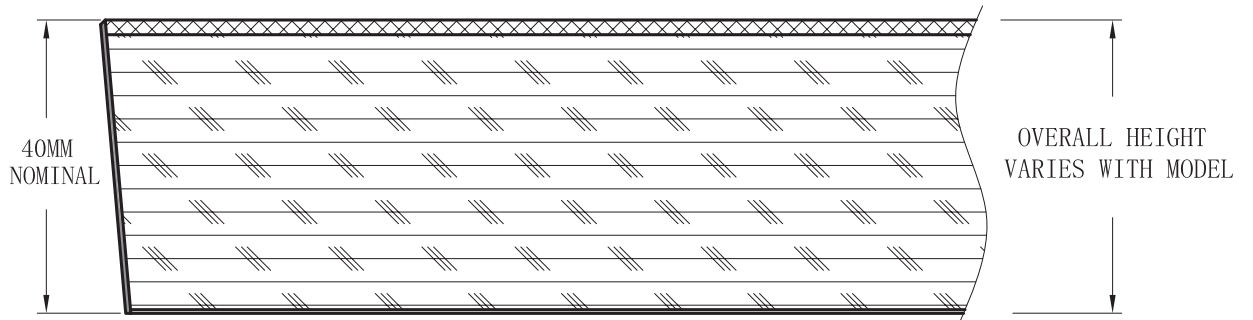
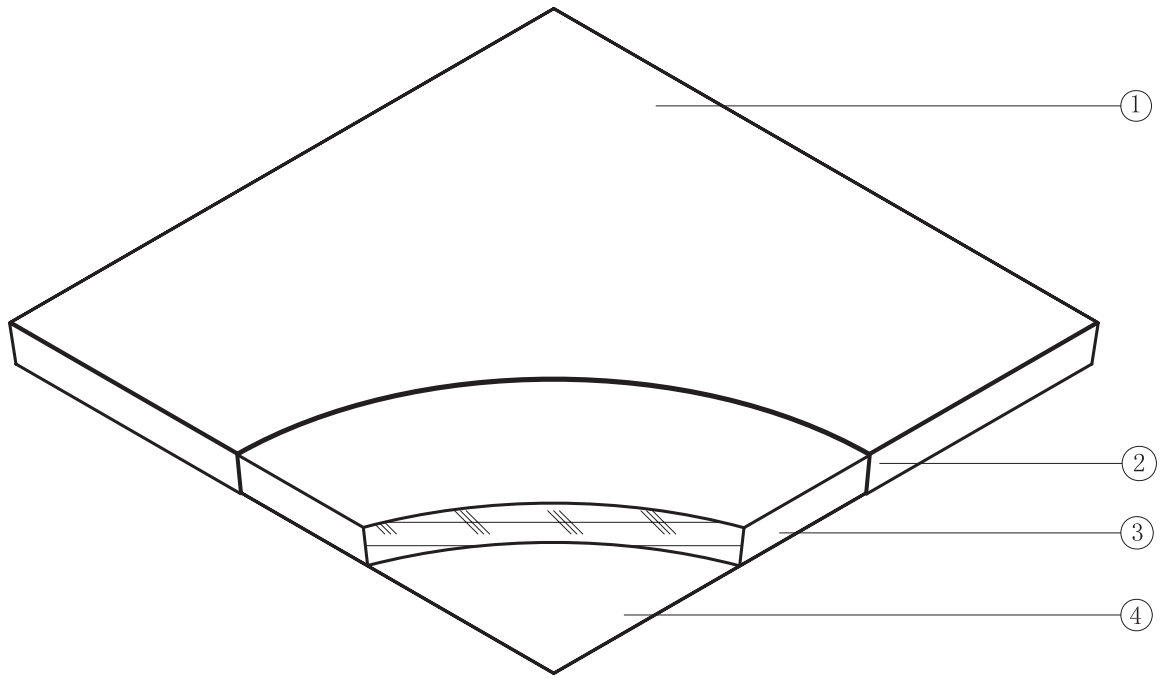
SUPPLEMENTARY NOTES

1. STEEL SHEET ADHERED TO CHIPBOARD PANEL
2. PVC EDGE STRIP, FOUR PIECES PER PANEL
3. 38MM HIGH DENSITY E1 CHIPBOARD
4. HOT GALVANIZED STEEL SHEET

PERFORMANCE SELECTION CHART

PANEL TYPE	DYNAMIC LOAD (KN)	CONCENTRATED LOAD (KN)	UNIFORM LOAD (KN/M ²)	FIRE-PROTECTION (DIN 4102)
WP1000B	4.5	4.5	20	B1

VERSION	V 2.0	LINFLOOR FLOORS, INC www.linfloor.net STEEL FINISHED WP PANEL	PAGE
DATE			1
DRAWN	ZHONGJIE PAN		
APPROVED	YINGLIN PAN		



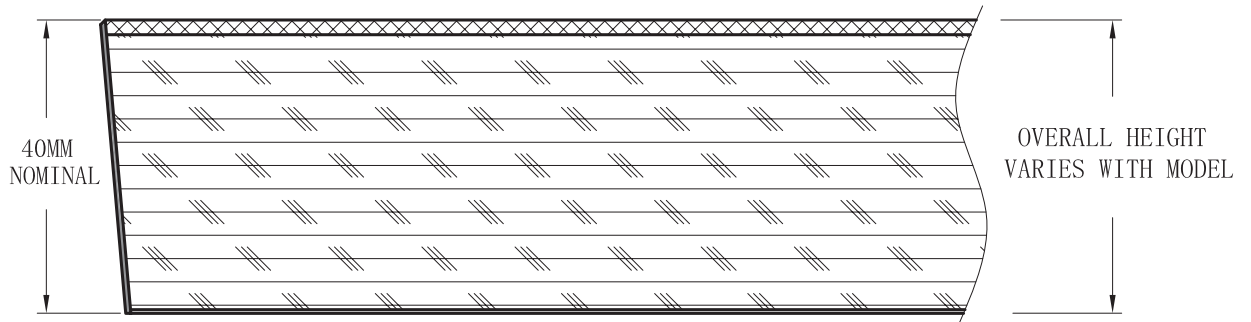
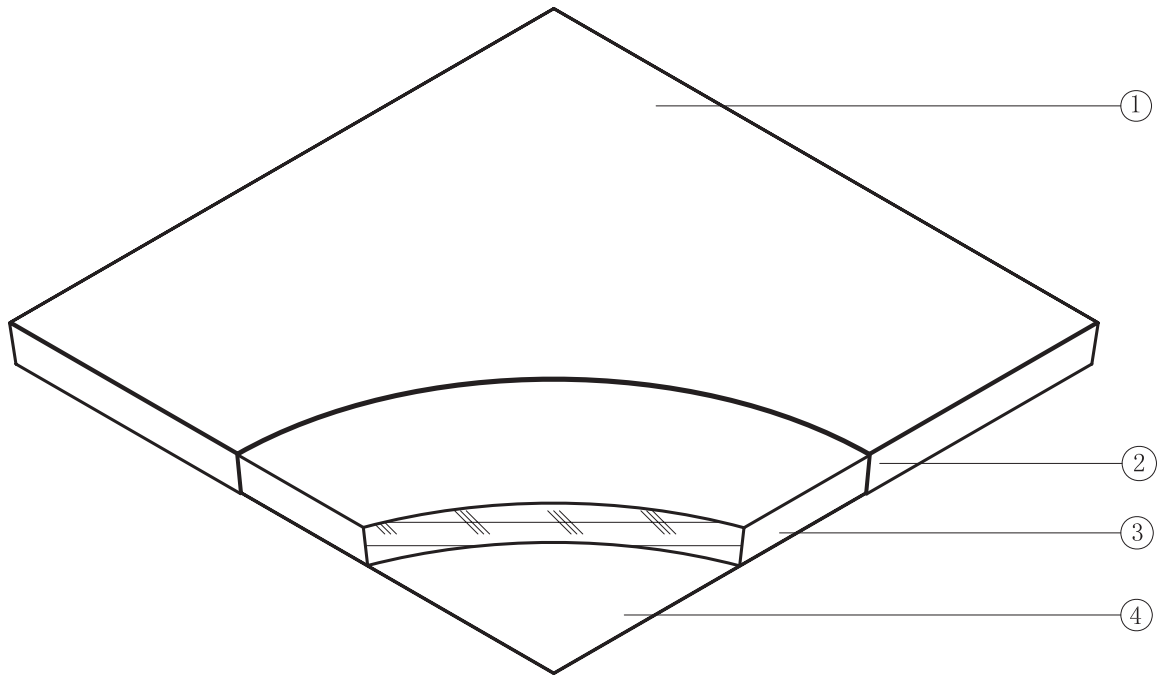
SUPPLEMENTARY NOTES

- 1. HPL ADHERED TO CHIPBOARD PANEL
- 2. PVC EDGE STRIP, FOUR PIECES PER PANEL
- 3. 38MM HIGH DENSITY E1 CHIPBOARD
- 4. HOT GALVANIZED STEEL SHEET

PERFORMANCE SELECTION CHART

PANEL TYPE	DYNAMIC LOAD (KN)	CONCENTRATED LOAD (KN)	UNIFORM LOAD (KN/M ²)	FIRE-PROTECTION (DIN 4102)
WP1000H	4.5	4.5	20	B1

VERSION	V 2.0	LINFLOOR FLOORS, INC www.linfloor.net HPL FINISHED WP PANEL	PAGE
DATE			
DRAWN	ZHONGJIE PAN		
APPROVED	YINGLIN PAN		



SUPPLEMENTARY NOTES

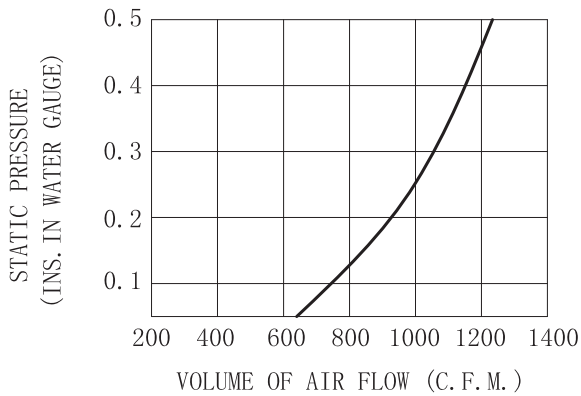
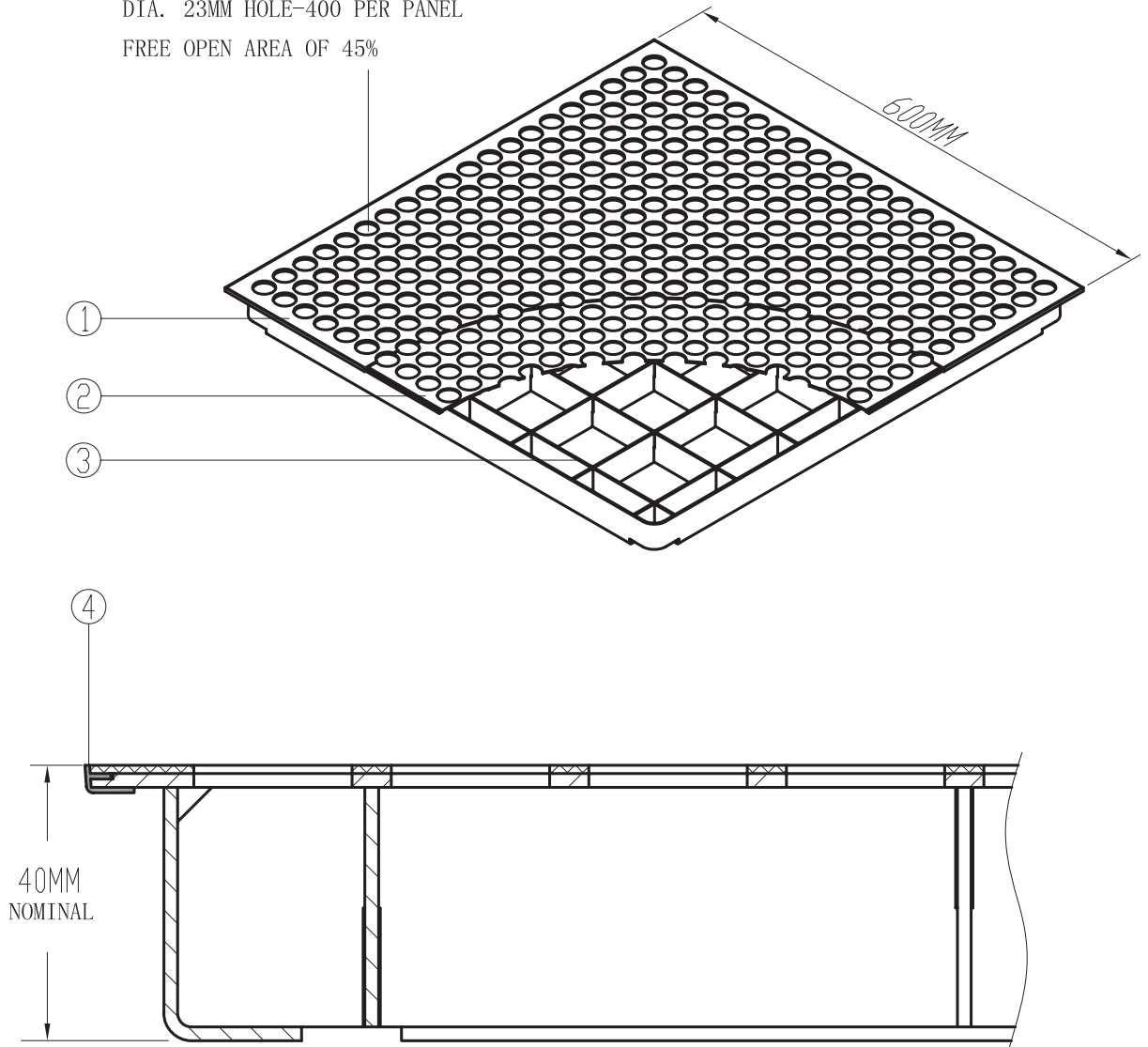
1. VINYL ADHERED TO CHIPBOARD PANEL
2. PVC EDGE STRIP, FOUR PIECES PER PANEL
3. 38MM HIGH DENSITY E1 CHIPBOARD
4. HOT GALVANIZED STEEL SHEET

PERFORMANCE SELECTION CHART

PANEL TYPE	DYNAMIC LOAD (KN)	CONCENTRATED LOAD (KN)	UNIFORM LOAD (KN/M ²)	FIRE-PROTECTION (DIN 4102)
WP1000V	4.5	4.5	20	B1

VERSION	V 2.0	LINFLOOR FLOORS, INC www.linfloor.net VINYL FINISHED WP PANEL	PAGE
DATE			
DRAWN	ZHONGJIE PAN		
APPROVED	YINGLIN PAN		

DIA. 23MM HOLE-400 PER PANEL
 FREE OPEN AREA OF 45%

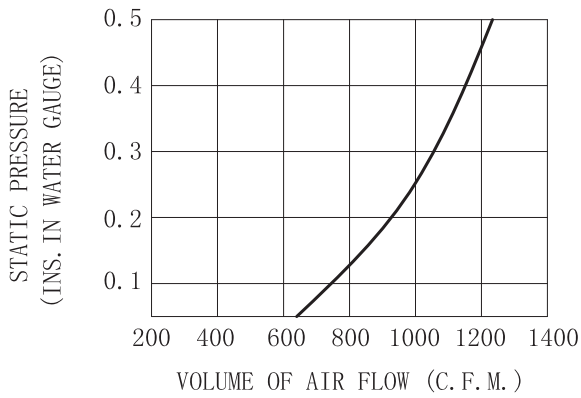
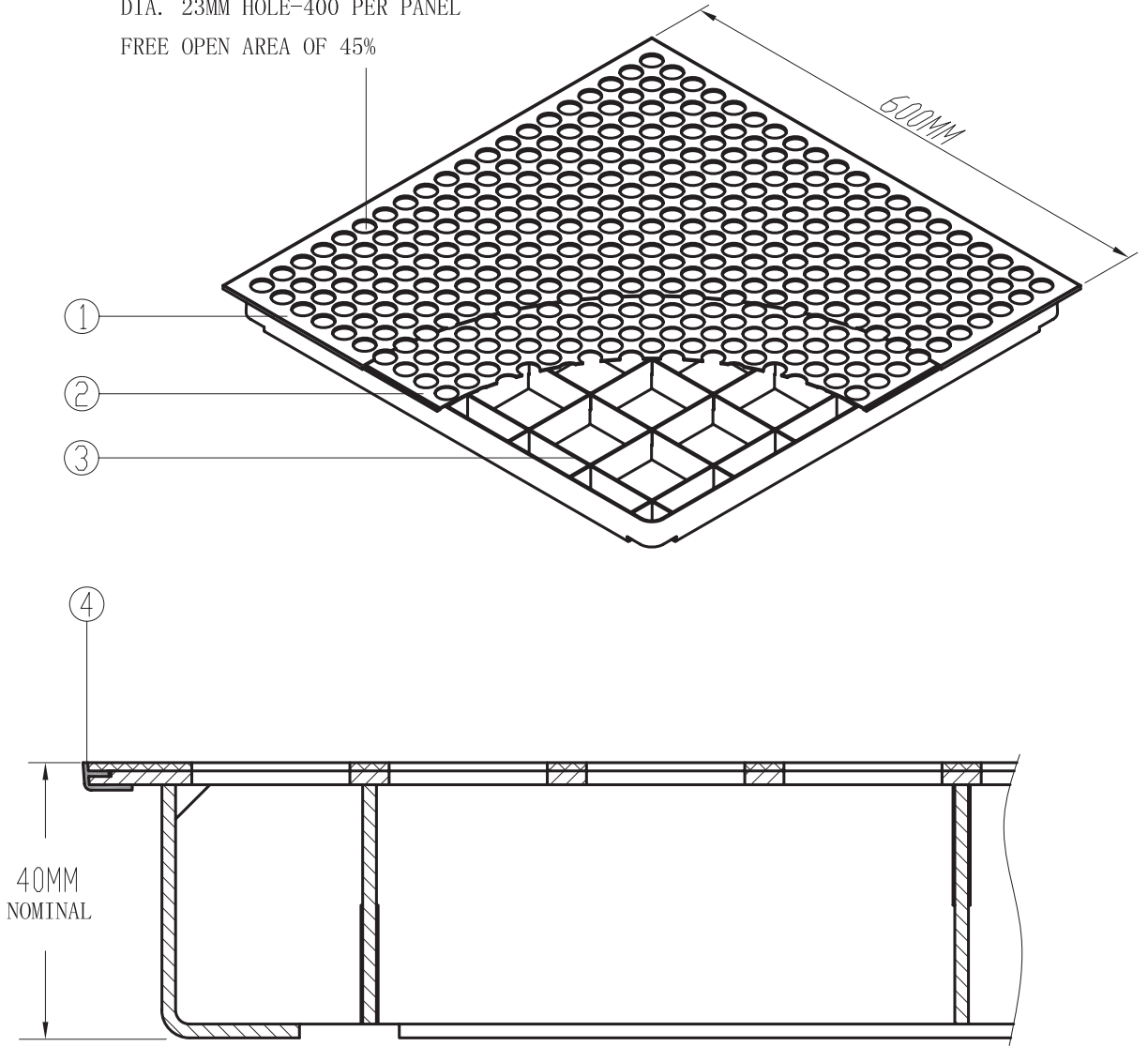


SUPPLEMENTARY NOTES

1. HPL TILE ADHERED TO STEEL PANEL
2. INNER AND OUTER STEEL SURFACES PHOSPAHTE TREATED PRIOR TO POWDER COATING
3. REINFORCED BAR
4. PVC TRIM EDGE
5. PRODUCT MODEL:WA1000H

VERSION	V 2.0	LINFLOOR FLOORS, INC www.linfloor.net	PAGE
DATE			4
DRAWN	ZHONGJIE PAN	HPL FINISHED PERFORATED WP PANEL WITH 45% AIR RATE	
APPROVED	YINGLIN PAN		

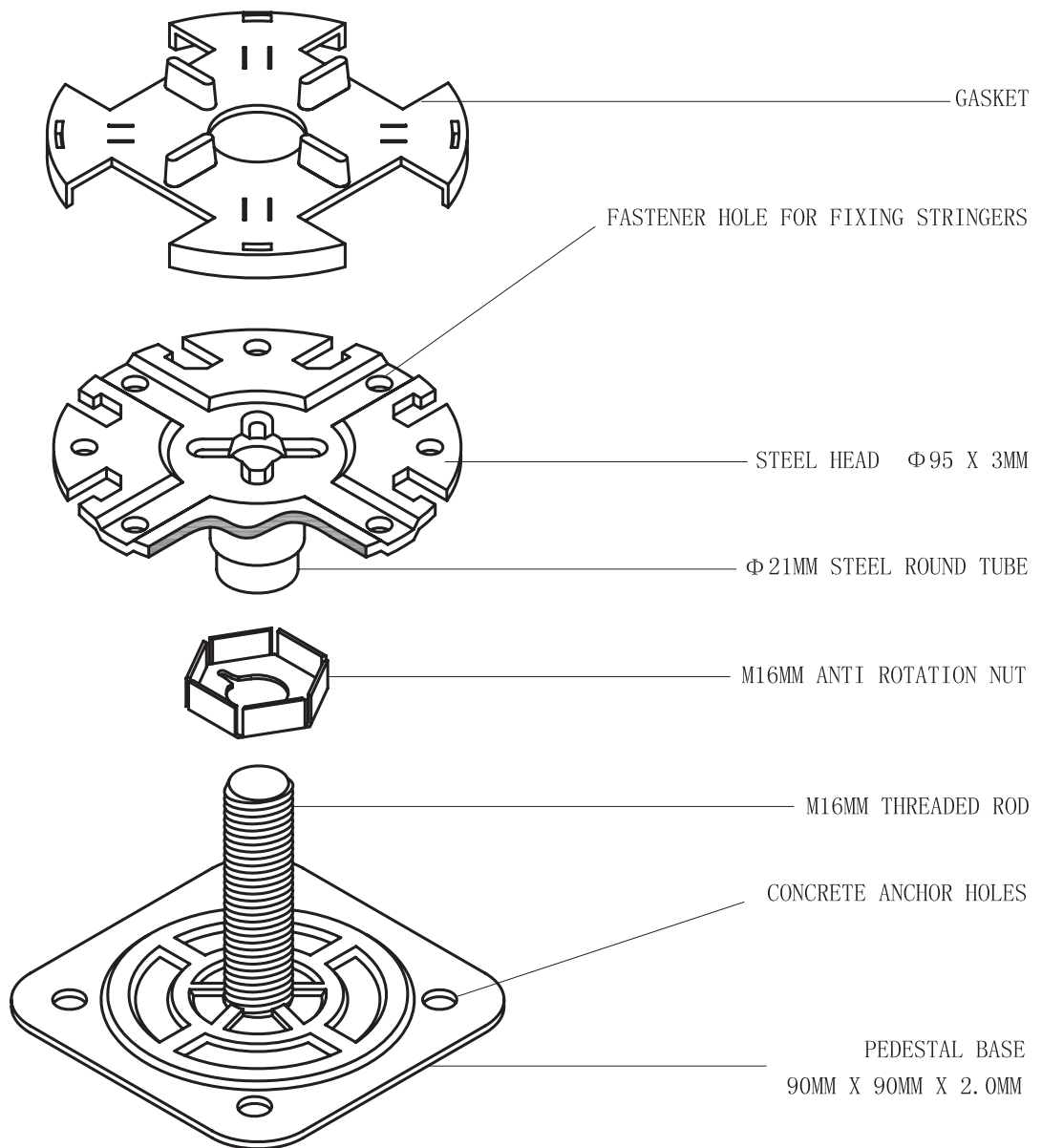
DIA. 23MM HOLE-400 PER PANEL
 FREE OPEN AREA OF 45%



SUPPLEMENTARY NOTES

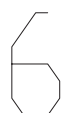
1. VINYL TILE ADHERED TO STEEL PANEL
2. INNER AND OUTER STEEL SURFACES PHOSPAHTE TREATED PRIOR TO POWDER COATING
3. REINFORCED BAR
4. PVC TRIM EDGE
5. PRODUCT MODEL:WA1000V

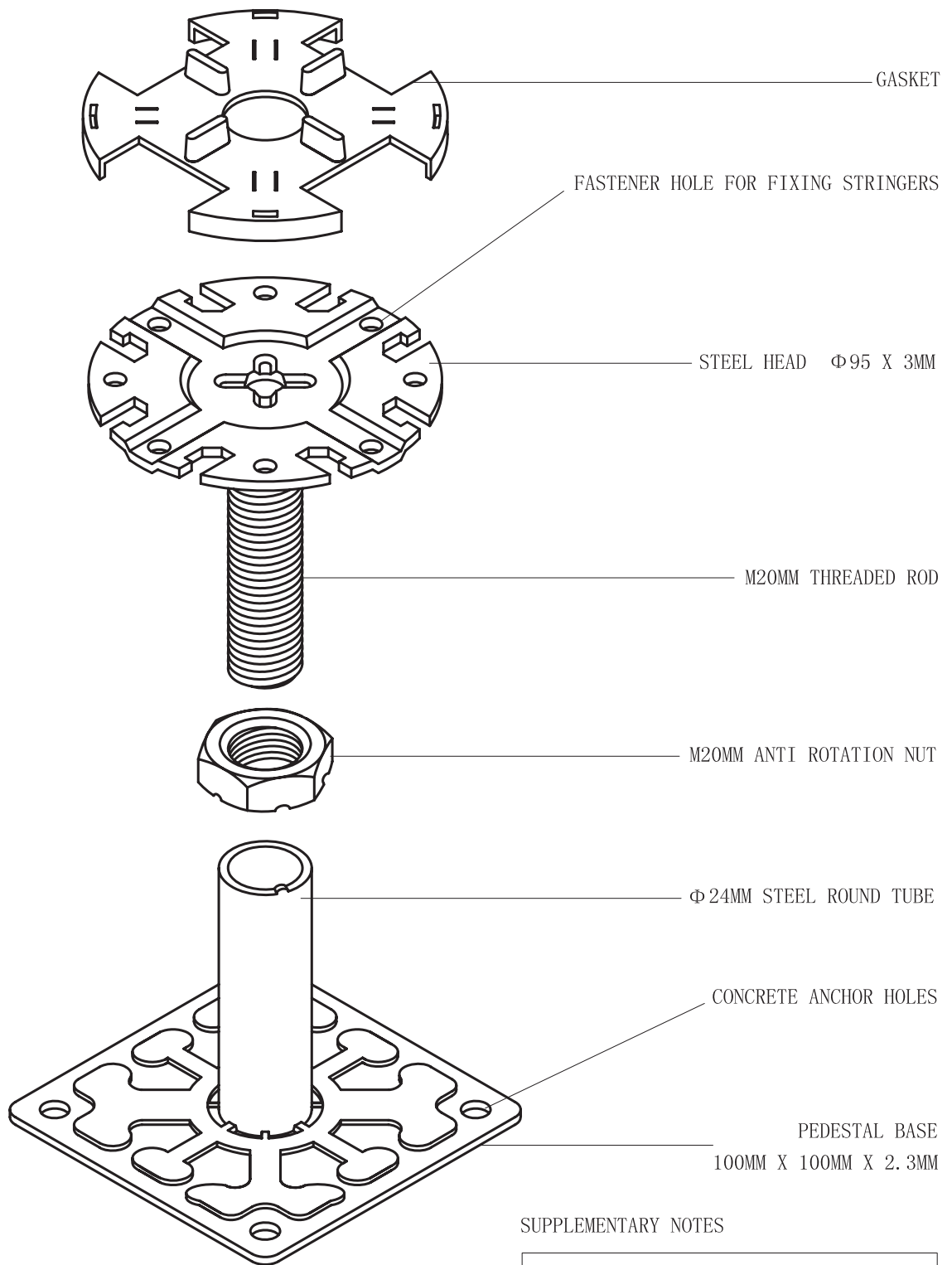
VERSION	V 2.0	LINFLOOR FLOORS, INC www.linfloor.net VINYL FINISHED PERFORATED WP PANEL WITH 45% AIR RATE	PAGE
DATE			
DRAWN	ZHONGJIE PAN		
APPROVED	YINGLIN PAN		



SUPPLEMENTARY NOTES

1. PRODUCT MODEL: WP-PST-LPXXX
2. APPLICABLE: FFH 80-110MM,
VERTICAL LOAD 18KN AT CENTER
3. ADJUSTABLE RANGE: $\pm 5 - \pm 12\text{MM}$
4. HOT GALVANIZED AND ALKALINE BLUE

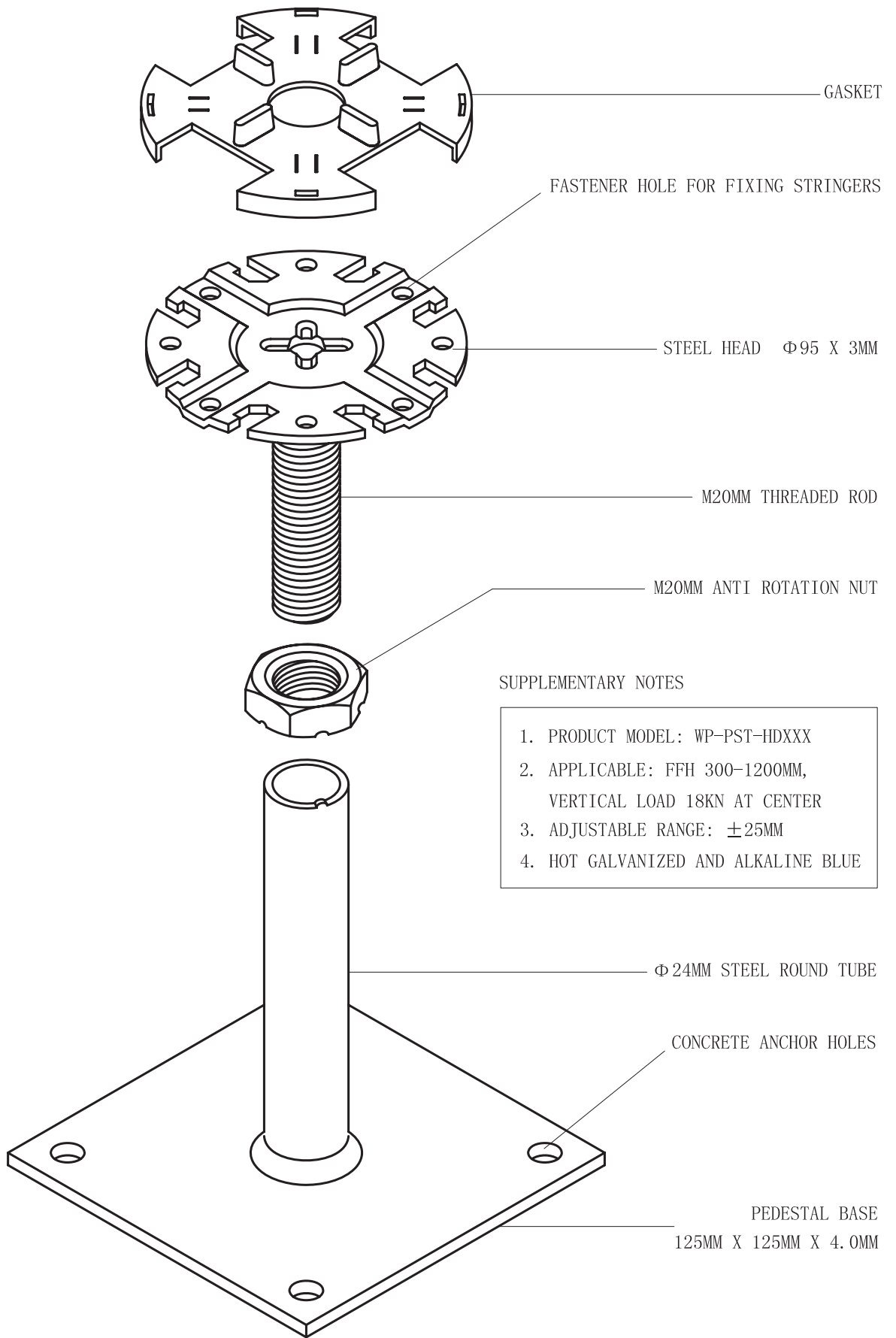
VERSION	V 2.0	LINFLOOR FLOORS, INC www.linfloor.net LOW-PROFILE WP PEDESTAL	PAGE
DATE			
DRAWN	ZHONGJIE PAN		
APPROVED	YINGLIN PAN		



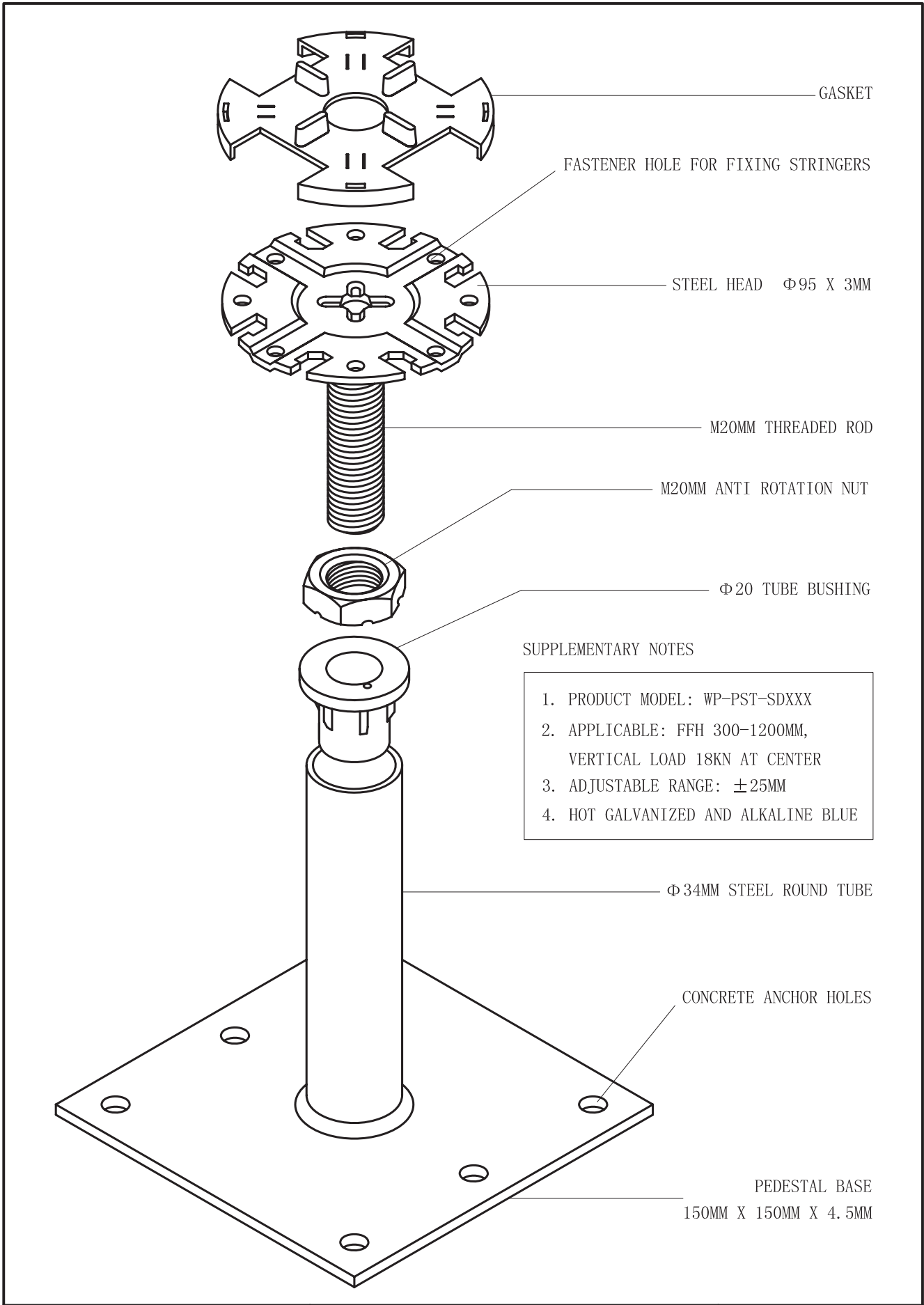
SUPPLEMENTARY NOTES

1. PRODUCT MODEL: WP-PST-NPXXX
2. APPLICABLE: FFH 120-600MM,
VERTICAL LOAD 18KN AT CENTER
3. ADJUSTABLE RANGE: ±10-±25MM
4. HOT GALVANIZED AND ALKALINE BLUE

VERSION	V 2.0	LINFLOOR FLOORS, INC www.linfloor.net STANDARD WP PEDESTAL	PAGE
DATE			7
DRAWN	ZHONGJIE PAN		
APPROVED	YINGLIN PAN		



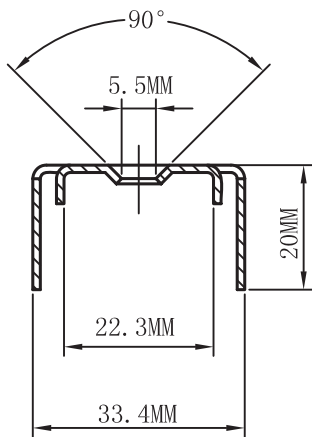
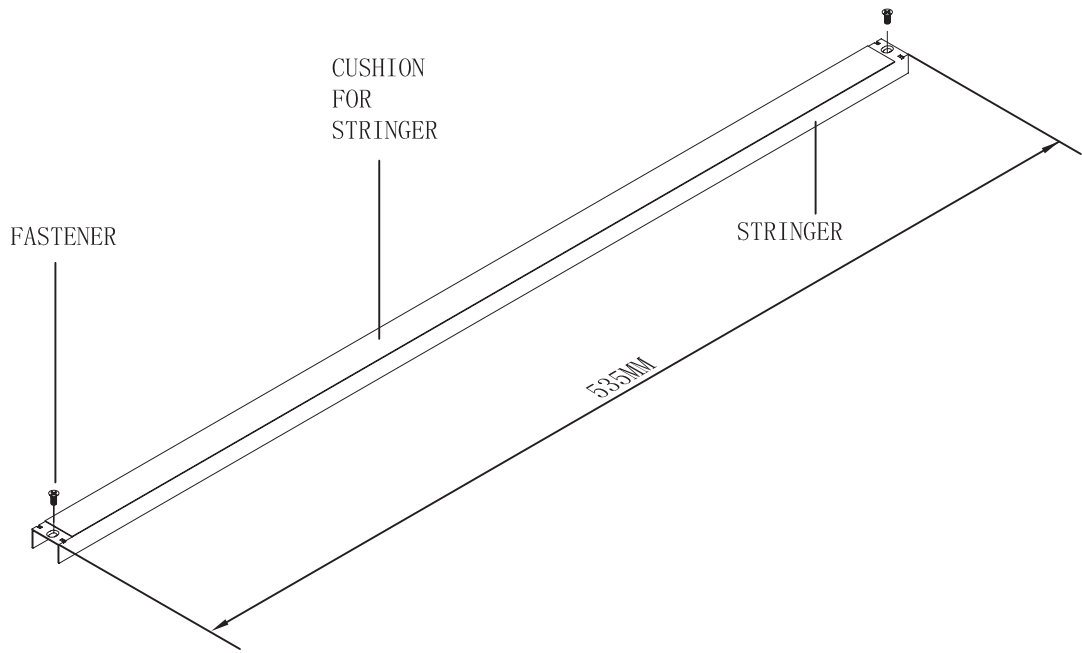
VERSION	V 2.0	LINFLOOR FLOORS, INC www.linfloor.net HEAVY-DUTY WP PEDESTAL	PAGE
DATE			
DRAWN	ZHONGJIE PAN		
APPROVED	YINGLIN PAN		



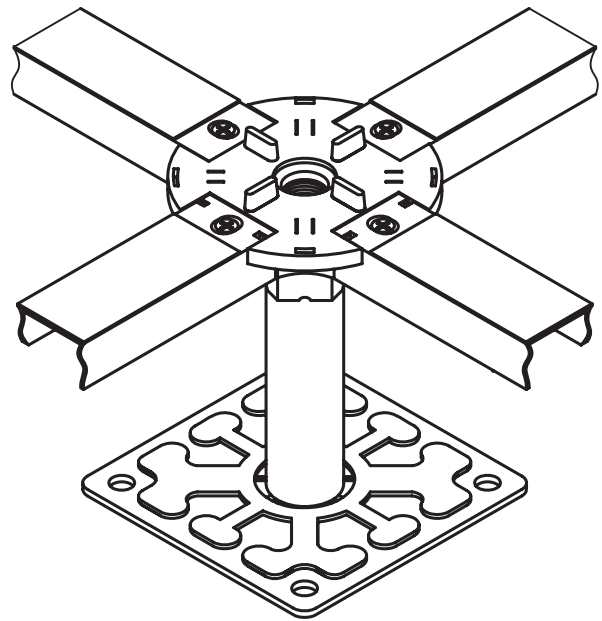
SUPPLEMENTARY NOTES

- 1. PRODUCT MODEL: WP-PST-SDXXX
- 2. APPLICABLE: FFH 300-1200MM, VERTICAL LOAD 18KN AT CENTER
- 3. ADJUSTABLE RANGE: ±25MM
- 4. HOT GALVANIZED AND ALKALINE BLUE

VERSION	V 2.0	LINFLOOR FLOORS, INC www.linfloor.net SUPER-HEAVY-DUTY WP PEDESTAL	PAGE
DATE			
DRAWN	ZHONGJIE PAN		
APPROVED	YINGLIN PAN		



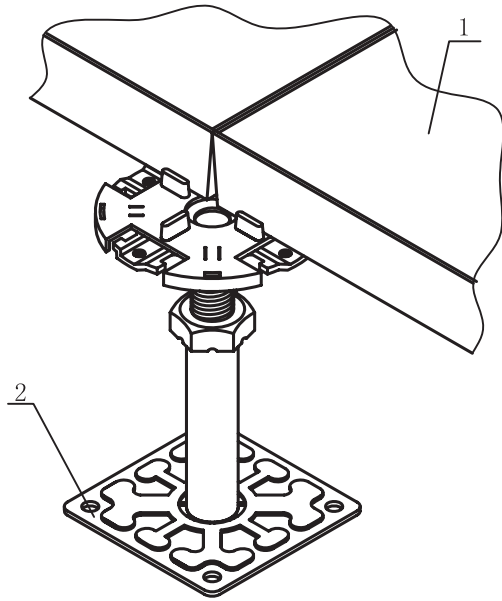
SECTION VIEW



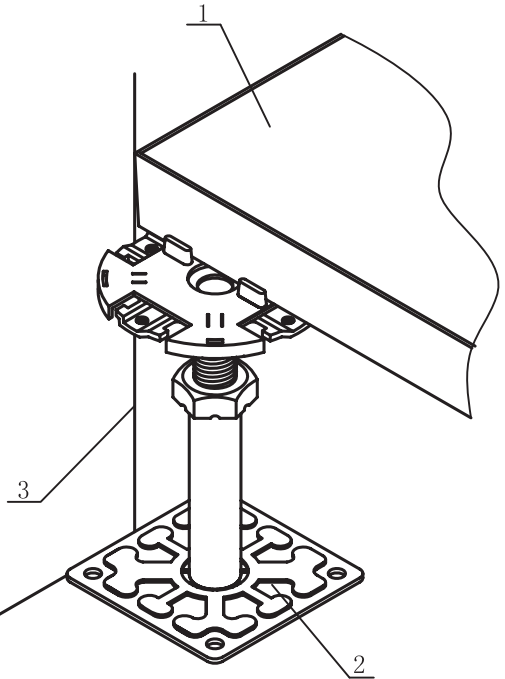
SUPPLEMENTARY NOTES

1. PRODUCT MODEL: WP-STR
2. TWO FASTENERS PER STRINGER

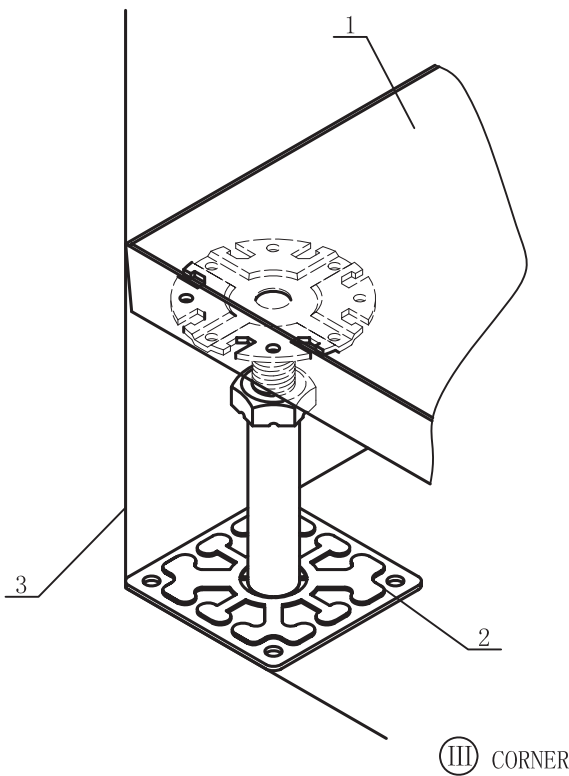
VERSION	V 2.0	LINFLOOR FLOORS, INC www.linfloor.net	PAGE
DATE			9
DRAWN	ZHONGJIE PAN	STRINGER FOR WP SYSTEM	
APPROVED	YINGLIN PAN		



① NORMAL



② PERIMETER



③ CORNER

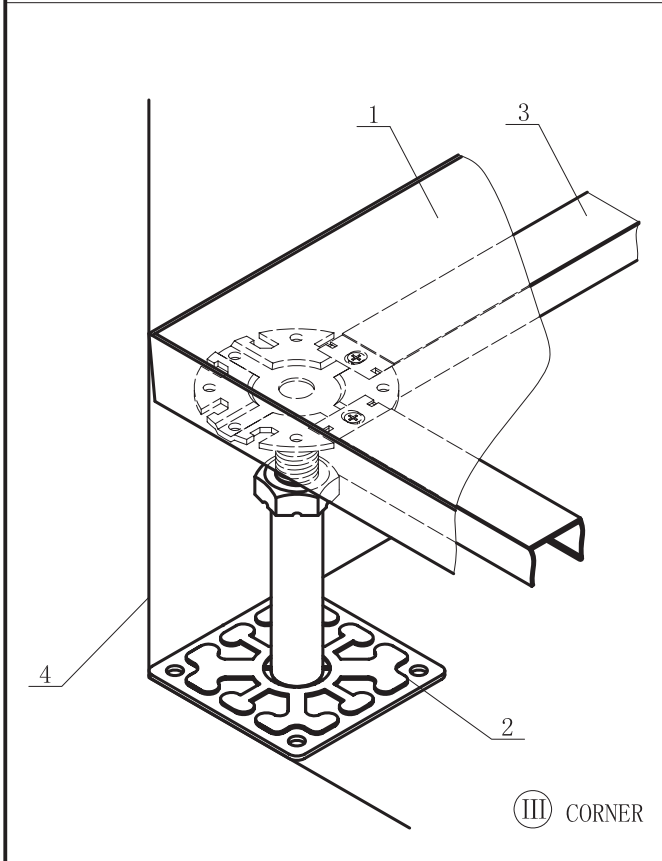
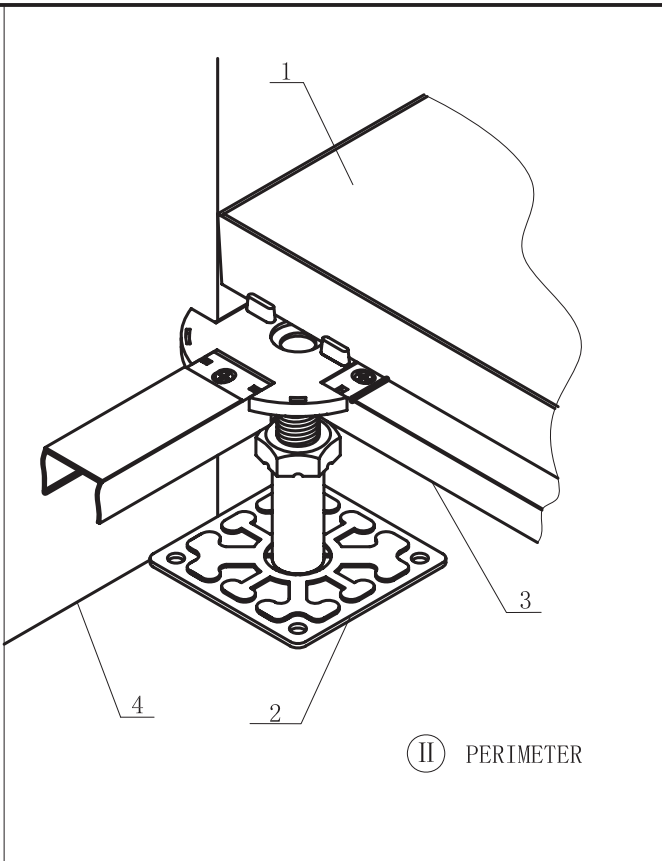
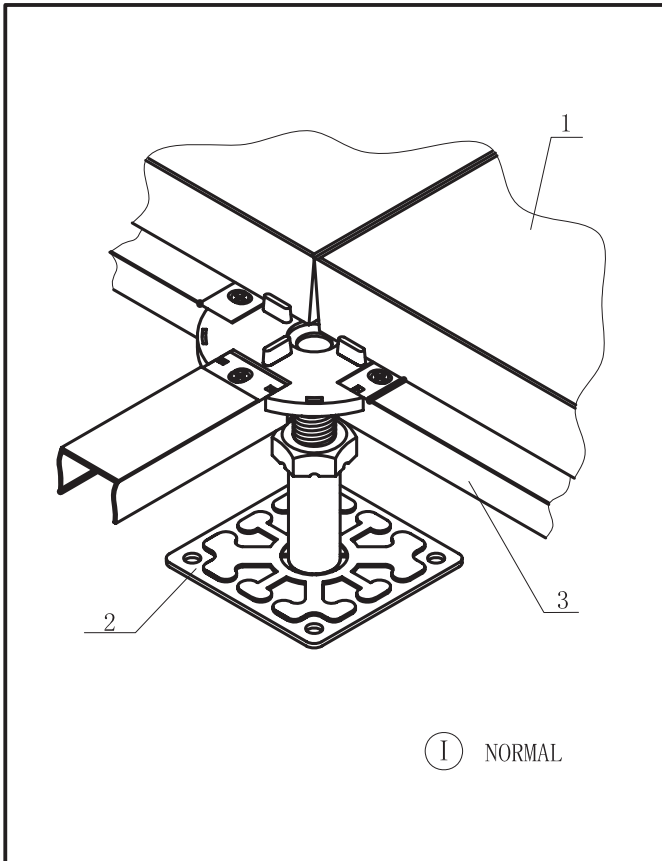
SUPPLEMENTARY NOTES

- 1. WP PANEL
- 2. PEDESTAL
- 3. WALL

① ② ③

WP SYSTEM RAISED FLOOR INSTALLATION WITHOUT STRINGER

VERSION	V 3.0	LINFLOOR FLOORS, INC	PAGE	
DATE			www.linfloor.net	1 1
DRAWN	ZHONGJIE PAN	INSTALLATION ILLUSTRATION I		
APPROVED	YINGLIN PAN			



SUPPLEMENTARY NOTES

- 1. WP PANEL
- 2. PEDESTAL
- 3. STRINGER
- 4. WALL

① ② ③ WP SYSTEM RAISED FLOOR INSTALLATION WITH STRINGER

VERSION	V 2.0	LINFLOOR FLOORS, INC www.linfloor.net	PAGE
DATE			12
DRAWN	ZHONGJIE PAN	INSTALLATION ILLUSTRATION II	
APPROVED	YINGLIN PAN		